



# RevEAL

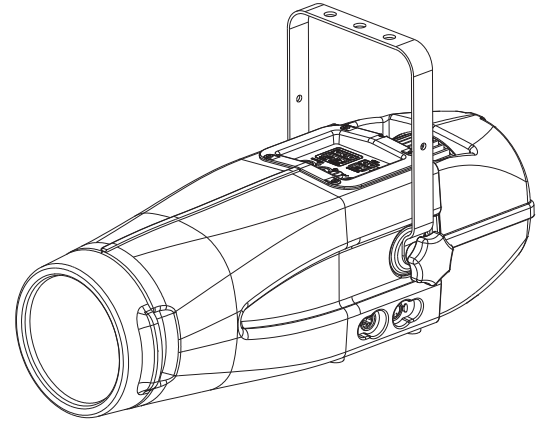
Revolutionary Entertainment & Architectural Lighting™

# ColorWash

The RevEAL Color Wash (CW) from Prism Projection is a professional grade LED wash light that provides unparalleled color rendering, color palette, repeatability, and beam quality. The RevEAL CW is illuminated by energy efficient and long lasting solid-state light sources that are applied with proprietary control algorithms and projection optics.

The 3800 lumen RevEAL CW offers full color changing and tuneable white light (CCT) from 2800K-8000K in a lightweight, durable housing. The beam is fully blended as a single shadow source, eliminating any striations or multiple shadows found in other LED products. It is available in native 27° beam with lens options for 37°, 50°, 70°, and 30°x70°. The RevEAL CW also offers DMX, Artnet and local control; and universal AC input from 85-265 VAC.

Prism Projection's TrueSource® technology unlocks the potential of light emitting diodes (LEDs) in order to provide a lighting instrument with exceptional utility and quality previously only approached by conventional sources. The RevEAL CW is an environmentally friendly and sustainable solution for any space in which a professional look and feel is desired.



# PRISM

See what you've been missing™

## Features

- » **TrueSource®** - Integrated Optical Feedback for Specifiable and Repeatable Color
- » Extended Color Gamut with Multiple Primaries
- » Tunable White Color Temperature from 2,800K to 8,000K
- » Color Rendering Index Exceeds 95
- » Completely Mixed Source with Excellent Color Uniformity and No Color Separation in the Beam
- » No Degrading Ultraviolet or Infrared Emission
- » Native 27° Beam with Lens Options for 37°, 50°, 70°, and 30°x70°
- » Closed-Loop Optical Feedback for Consistent Color and Intensity
- » 180 Watts
- » Environmentally Friendly
  - › CO<sub>2</sub> Footprint Reduced 67%
  - › Free of Hazardous Materials (Lead or Mercury)
  - › No Waste (Gels, Lamps, etc.) Throughout Life of Product
- » 50,000 Hours at 70% Lumen Maintenance
- » 46 Average Lumens per Watt

## Ordering Information:

CW-38H5-LXX-001	ColorWash, Black
-----------------	------------------

## Accessories / Options:

CW-L37	37° Lens for ColorWash
CW-L50	50° Lens for ColorWash
CW-L70	70° Lens for ColorWash
CW-LRT	RT° Lens for ColorWash
CW-LH	Lens Holder for ColorWash

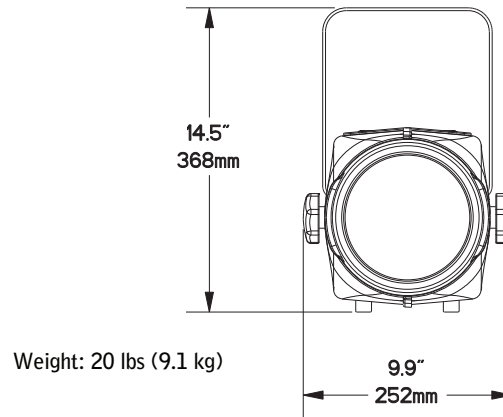
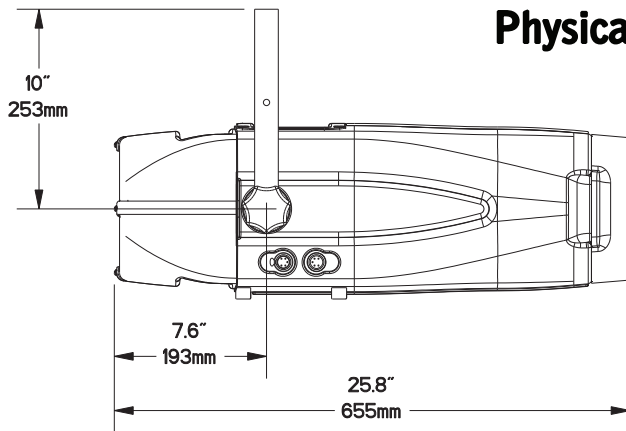
Prism Projection, Inc. © Copyright 2009. All Rights Reserved. Multiple International Patents Pending

[www.prismprojection.com](http://www.prismprojection.com) | [info@prismprojection.com](mailto:info@prismprojection.com)

8228 East 124th Street South | Sully, IA 50251-0448 USA | +1 641-594-3356

Revolutionary Entertainment & Architectural Lighting™

## Physical



## Photometrics

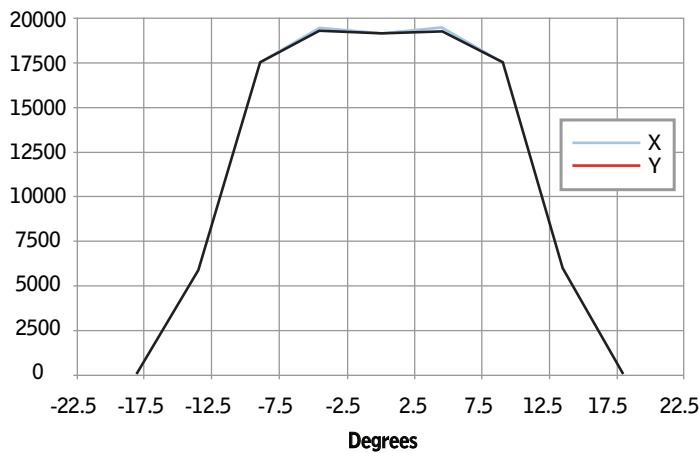
<b>Throw Distance:</b>	8.3 ft 2.5 m	16.7 ft 5.1 m	25.0 ft 7.6 m
<b>Field Diameter:</b>	4.0 ft 1.2 m	7.9 ft 2.4 m	11.8 ft 3.6 m
<b>Illuminance:</b>	275 fc 2,960 lx	69 fc 739 lx	31 fc 329 lx

<b>Full Angle:</b>	<b>Peak Candela:</b>	<b>Field/Beam Lumens:</b>	<b>Lumens per Watt:</b>
27°	19,670	3,820/3456	46

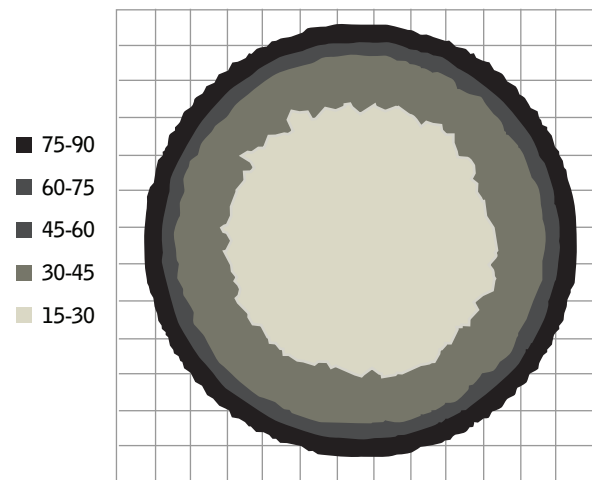
## Electrical

<b>Input</b>	
<b>Voltage Range:</b>	90-264 VAC
<b>Frequency Range:</b>	47-63 Hz
<b>Power:</b>	180 Watts
<b>Power Factor:</b>	0.93/230 VAC 0.98/115 VAC

Candela Plot



Iso-Illuminance Diagram (Flat Surface Distribution)



Complete IES photometry data files (LM-63-02) are available.